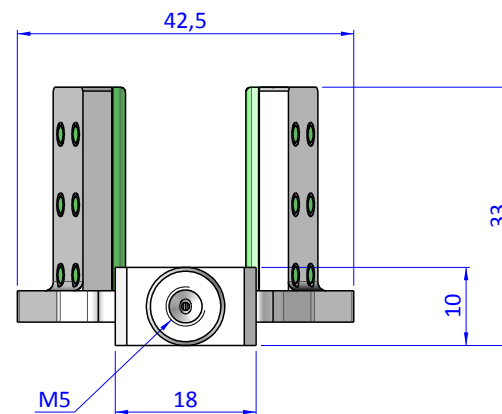
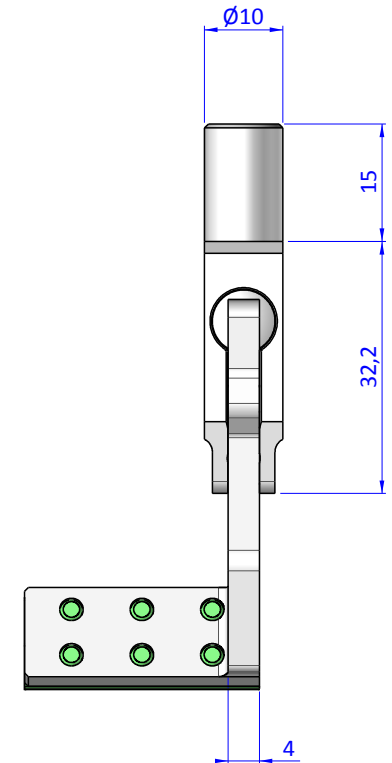
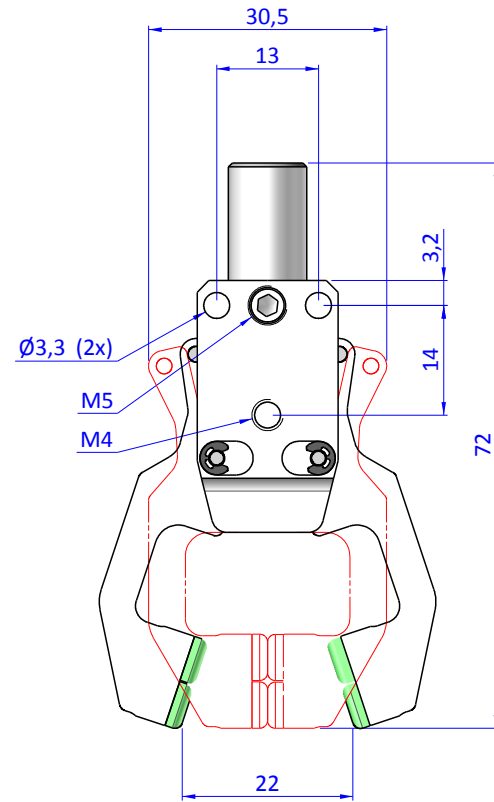
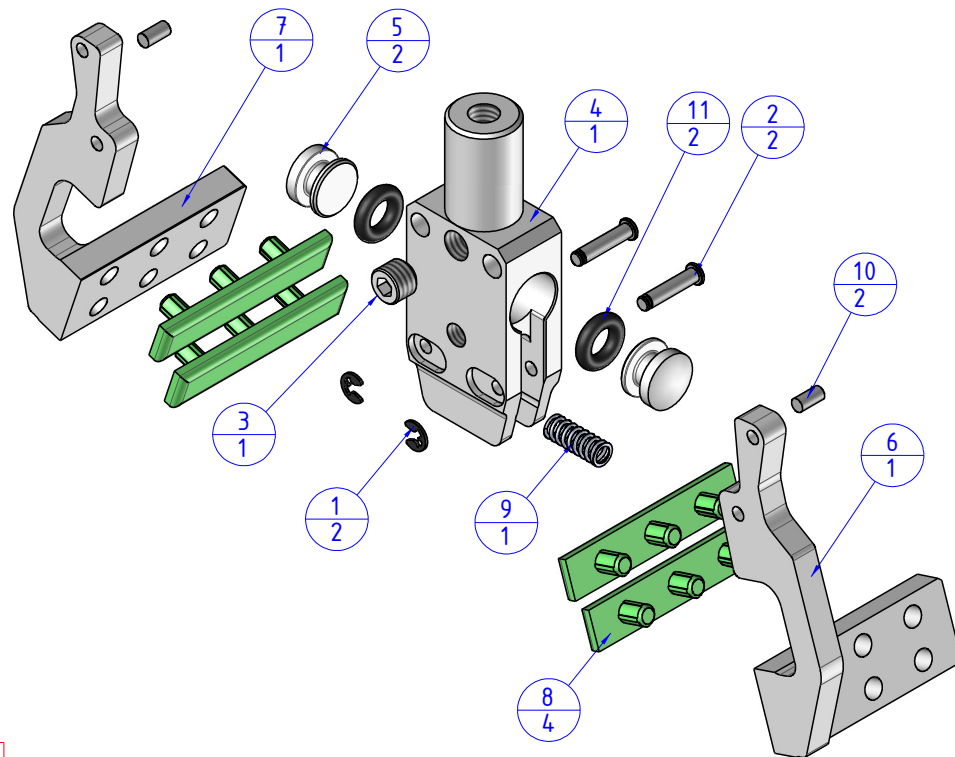



THE PROPERTY OF THE DRAWING IS ESTABLISHED BY LAW. IT IS FORBIDDEN TO PRODUCE OR SHOW IT TO THIRD PARTY, WITHOUT A WRITTEN AGREEMENT.

Item	Name	Q.ty
1	A.ELA.RA1.5	2
2	SP.2x10SS	2
3	GR.5X4	1
4	GZA.10.08.1	1
5	GZA.10.08.2	2
6	GZA.10.08.3.AHGD	1
7	GZA.10.08.3.AHGS	1
8	GZA.10.12.6.V	4
9	M.MP13X3.5D.5	1
10	GZA.10.08.9	2
11	ORM.4x2	2



Format A3

UNI 936-76

 FPS FPSERVICES AUTOMATION		DESIGNED FROM	REVIEW
		FPS Automation	A
GENERAL TOLERANCE	DESCRIPTION	DATE	WEIGHT
UNI - ISO 2768	CA.GZA.10.08.AHG	21/03/2019	0,028kg
CLASSE F		CODE	
		CA.GZA.10.08.AHG	